



FUJIAN ZHONGSHE MACHINERY AND EQUIPMENT IMP AND EXP CO.,LTD.

23A;Ping An Building,No.88 Wuyi Road,Fuzhou,Fujian,China

## MT 1023

**VALVULA DE BOLA O CORTE INVOLABLE**  
**FLUJO COMPLETO**  
**ROSCA HEMBRA – HEMBRA**  
**MANIJA DE BLOQUEO**

**BALL VALVE**  
**FULL FLOW**  
**FEMALE - FEMALE**  
**LOCKABLE HANDLE**

### CARACTERISTICAS / FEATURES

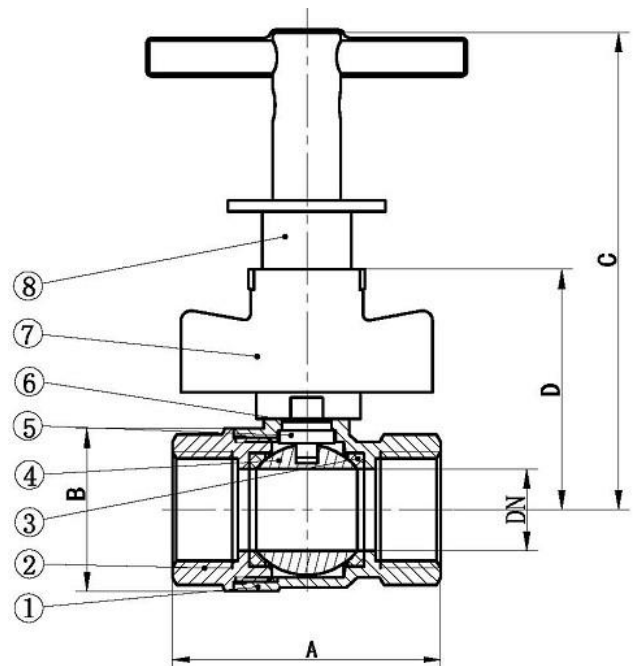
Presión de Trabajo / Working pressure: DN25

Temperatura de Trabajo / Working temperature: -10°C a + 120°C /14°F to 248°F)

Rosca / Thread: ISO2281 / DIN259 / BS2779

Pruebas de Apertura y cierre / Opening – closing Test: 10.000 veces / 10000 times

CE ACS EAC



DIAMETRO / SIZE

1/2"

3/4"

1"