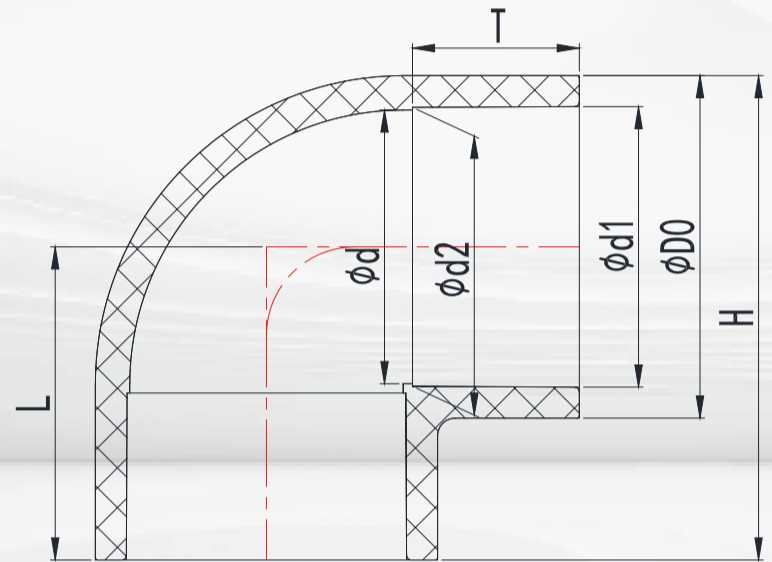


ELBOW 90°

:1 [鑄鐵]



攪楮樟隴

Elbow Size De	替鑄 Elbow Dimensions mm							Nominal Pressure PN(kg/cm ²)
	D0	d1	d2	d	T	L	H	
20	24.48	20.24	19.96	19.00	17.00	28.50	40.74	10
25	30.18	25.24	24.95	24.00	19.50	33.50	48.59	10
32	37.14	32.25	31.95	31.00	23.00	40.50	59.07	10
40	46.56	40.28	39.95	39.00	27.00	48.50	71.78	10
50	57.10	50.33	49.94	49.00	32.00	58.50	87.05	10
63	71.18	63.34	62.93	62.00	38.50	71.50	107.09	10
75	84.34	75.35	74.93	73.50	44.50	83.25	125.42	10
90	99.10	90.38	89.93	88.50	52.00	98.25	147.80	10
110	120.40	110.42	109.92	108.00	62.00	118.00	178.20	10
125	135.50	125.52	124.93	123.00	69.50	118.50	186.25	10
140	153.10	140.58	139.88	138.00	77.00	149.00	225.55	10
160	175.00	160.62	159.87	158.00	87.00	169.00	256.50	10
180	202.50	180.81	179.91	178.50	97.00	190.00	291.25	10
200	219.30	200.90	199.85	197.00	107.00	211.00	320.65	10
225	243.30	226.02	224.83	221.00	119.50	235.50	357.15	10
250	271.40	251.15	249.41	247.00	132.00	261.00	396.70	10
280	314.80	281.46	280.16	278.00	147.00	276.00	433.40	10
315	344.50	316.55	315.05	312.00	165.00	326.50	498.75	10
355	385.00	356.63	355.03	326.00	183.50	368.25	560.75	6
400	432.70	401.60	400.00	398.50	208.00	413.00	629.35	6