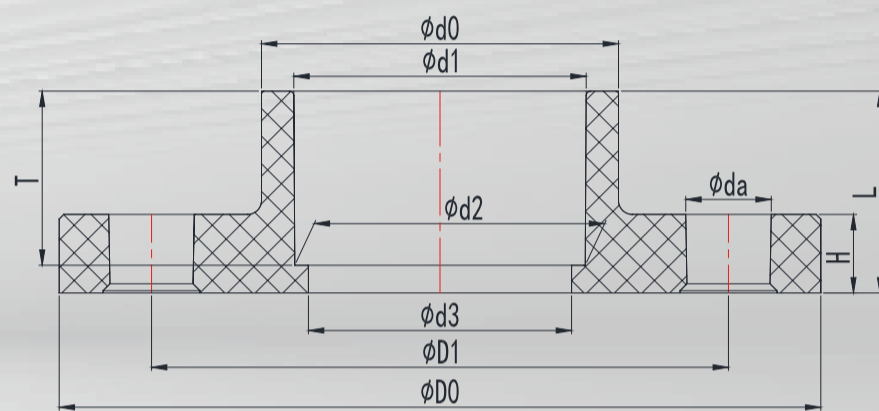


ONE-PIECE FLANGE

識董宋勢



攪儲幃隴

幃隴 Size De	僭幃幃隴 Dimensions mm											蝕幃純臧 Nominal Pressure PN(kg/cm ²)
	D0	D1	d0	d1	d2	d3	da	T	H	L	∠幃隴 n	
20	94.00	65.00	28.30	20.24	19.96	19.00	14.00	17.00	14.50	24.50	4	10
25	104.00	75.00	33.20	25.24	24.95	24.00	14.00	19.50	14.50	24.80	4	10
32	114.10	85.00	41.60	32.25	31.95	31.00	14.00	23.00	13.50	23.30	4	10
40	133.50	100.00	49.60	40.28	39.95	39.00	18.00	27.00	17.20	36.00	4	10
50	148.00	110.00	57.40	50.33	49.94	49.00	18.00	32.00	15.70	46.50	4	10
63	164.00	125.00	71.40	63.34	62.93	62.00	18.00	38.50	17.00	48.50	4	10
75	183.40	145.00	86.80	75.35	74.93	73.00	18.00	44.50	19.30	61.50	4	10
90	198.50	160.00	101.30	90.38	89.93	88.50	18.00	52.00	19.50	70.00	8	10
110	218.20	180.00	123.20	110.42	109.92	108.00	18.00	62.00	19.10	80.00	8	10
140	249.00	210.00	152.80	140.58	139.88	138.00	18.00	77.00	20.00	87.00	8	10
160	283.50	240.00	176.20	160.62	159.87	158.00	22.00	87.00	22.00	105.00	8	10
180	284.00	240.00	202.60	180.81	179.91	178.50	22.00	97.00	25.30	114.00	8	10
200	340.50	295.00	219.40	200.90	199.85	197.00	22.00	107.00	25.50	128.50	8	10
250	394.00	350.00	272.50	251.15	249.41	247.00	22.00	132.00	31.00	156.00	12	10
280	403.00	355.00	303.90	281.46	280.16	278.00	22.00	147.00	29.70	167.00	12	10