
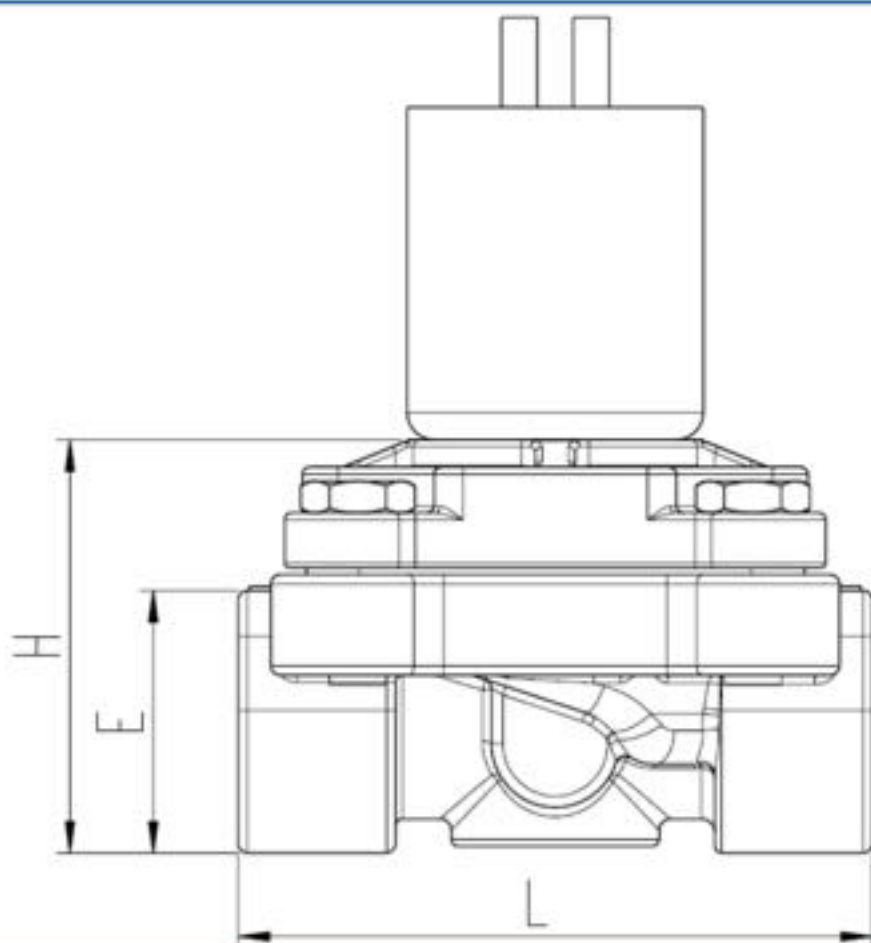
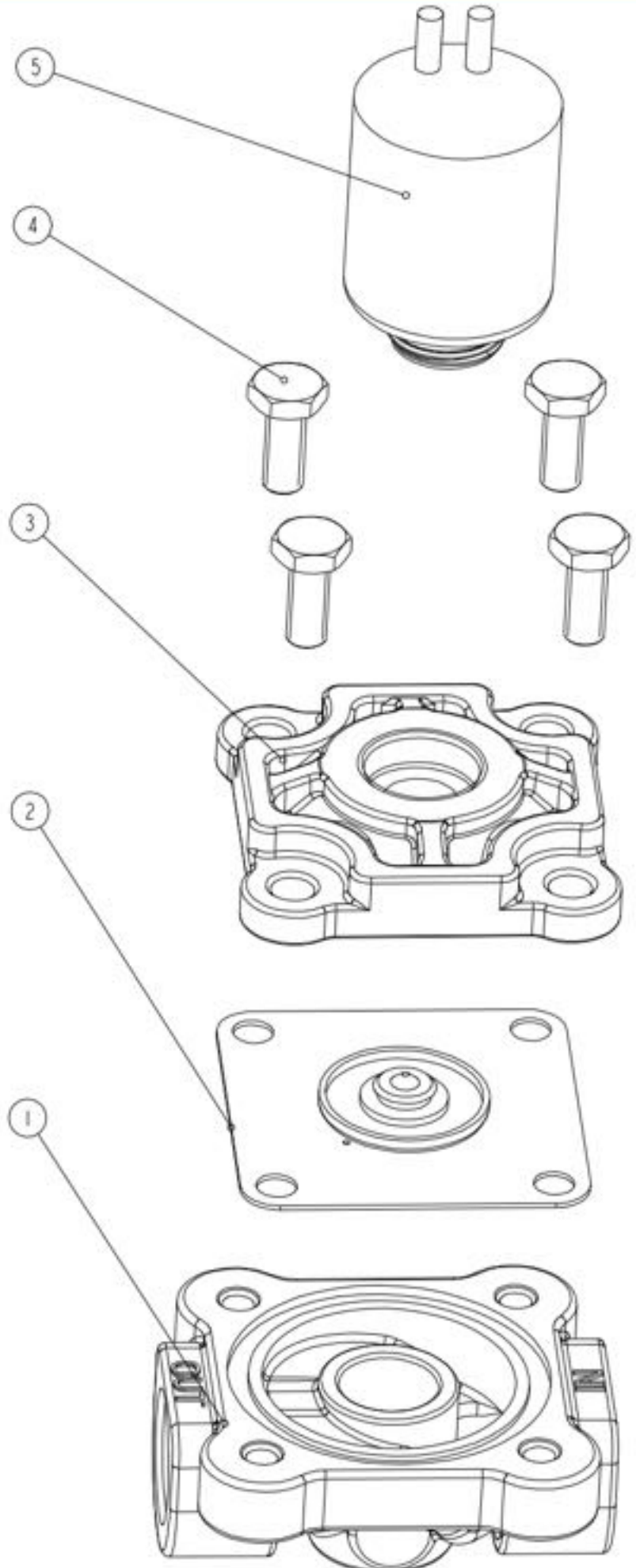


DSF-1/2-FF PILOT TYPE SOLENOID VALVE

Product Picture	Dimension (unit: mm)			
				
Product Usage	Specification	L	H	E
<p>Economical Irrigation Valve designed primarily for the residential and light commercial use, and it features solid construction, convenient operation and reliable performance. For each type, they can be assembled our irrigation solenoids(S391 series plastic shell & S392 series metal shell), alternative voltage: 12/24 VDC, 12/24 VAC, 4-9 VDC latch & 6-40 VDC latch (special requirements can be customized)</p>	3/8NPT VALVE	70.6(mm)	46(mm)	27.9(mm)
	1/2NPT VALVE	70.6(mm)	46(mm)	27.9(mm)
	3/4NPT VALVE	70.6(mm)	57(mm)	37.7(mm)
Construction	Performance Feature			
	<p>1、 Valve body made of Aging-proof Corrosion-Resistant Reinforced Nylon for the long life duration.</p> <p>2、 Rugged synthetic rubber diaphragm provide the lead-proof seal.</p> <p>3、 High-flow, low-friction-loss design.</p>			
	NO	Major Parts	Material	
	1	Valve Body	Reinforce PA66	
2	Diaphragm	Component		
3	Cover	Reinforce PA66		
4	Screw	Stainless steel 304		
5	Solenoid			
Specification				
Connection:	Optional			
Water Pressure:	10~150PSI			
Water Flow:	12~120L/min			
Voltage: 24VAC 50HZ	Optional			