

## 6001-4 1/2" MALE ADJUSTABLE SPRINKLER

### Specification:

Connection Size: 1/2" male(3/4" available)

Working Pressure: 2.0-4.0bar

Shoot Distance: 8.0-13.0m

Flow Rate: 0.35-1.20m<sup>3</sup>/h

### Features and Applications:

- Made by heavy duty polyformaldehyde material, stainless steel springs and axis
- Removeable nozzle for easy maintance
- Specicially designed for irrigation of field and garden edges
- Bottom thread can be 1/2" male or 3/4" male
- Hammer ensures all water inside pattern and prevents irrigating roads and neighbors



Single Nozzle

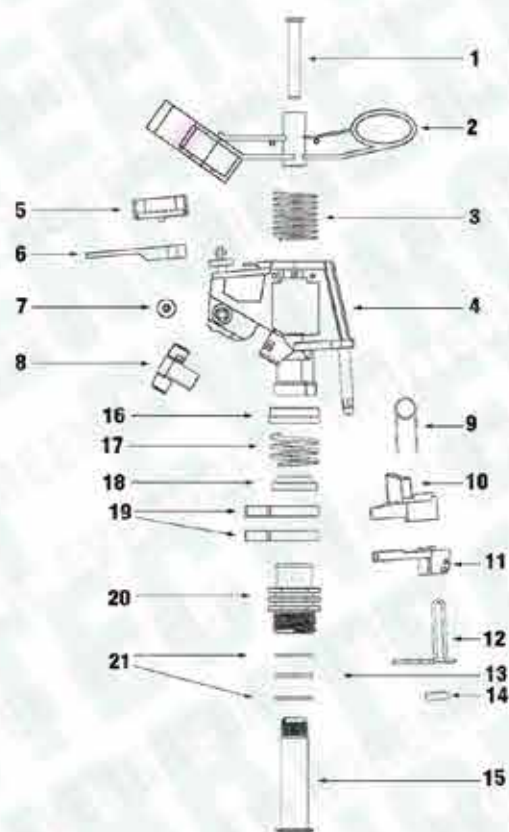
Dual Nozzle

Nozzle Diameter (mm)	Working Pressure (bar)	Flow Rate (m <sup>3</sup> /h)	Shoot Distance (m)
2.5	2.0	0.35	9.5
	3.0	0.43	10.5
	4.0	0.49	10.5
3.0	2.0	0.51	11.5
	3.0	0.63	12.0
	4.0	0.72	12.5
3.5	2.0	0.66	11.5
	3.0	0.81	12.0
	4.0	0.93	13.0
4.0	2.0	0.85	12.0
	3.0	1.03	13.0
	4.0	1.18	13.0





**BOM list**



#	Material	Qty.	Size
1	SS	1	
2	POM	1	
3	SS	1	
4	POM	1	
5	POM	1	
6	POM	1	
7	POM	1	2.5/3/3.5/4
8	POM	1	
9	SS	1	
10	POM	1	
11	POM	1	1/2" / 3/4"
12	SS	1	
13	POM	2	
14	POM	1	
15	POM	1	
16	POM	1	
17	SS	1	
18	POM	1	
19	POM	2	
20	POM	1	
21	RUBBER	2	

**Related models**



6001-5



6001-C



6001M-C



6001-J



6001-E



6032MA.1/2"