

## 6010 1/2" MALE SPRINKLER

### Specification:

Connection Size: 1/2" male

Working Pressure: 2.07-3.45bar

Wet Diameter: 20.7-25.3m

Flow Rate: 418-904L/H



### Features and Applications:

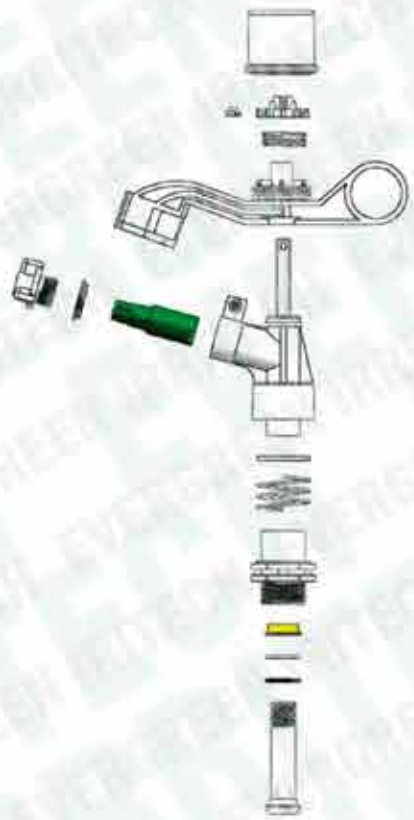
- 14°- ideal for under-tree irrigation
- 23°- maximum throw on riser
- Built-in hex wrench for easy maintenance
- Made by heavy duty ABS/POM material, stainless steel springs and axis

Nozzle Diameter (mm)	Working Pressure (bar)	Flow Rate (L/H)	Wet Diameter (m)
<b>14°(6010-14)</b>			
#7 2.78mm	2.07	418	20.7
	2.41	452	21.4
	2.76	481	22.0
	3.10	511	22.6
	3.45	538	22.9
#9 3.57mm	2.07	700	21.7
	2.41	756	22.3
	2.76	809	22.9
	3.10	859	23.5
	3.45	904	23.8

Square nozzle 3.30x3.30mm also available



## BOM list



#	Material	Qty.	Size
1	ABS	1	
2	ABS	1	
3	ABS	1	
4	SS	1	
5	ABS	1	
6	SS	1	
7	ABS	1	
8	POM	1	#7 / #9
9	RUBBER	1	
10	ABS	1	
11	ABS	1	
12	SS	1	
13	POM	1	1/2"
14	POM	1	
15	RUBBER	1	
16	TEFLON	1	
17	ABS	1	

## Related models



6028M



6028M-2



6010A



6010B



6010C



6010D